

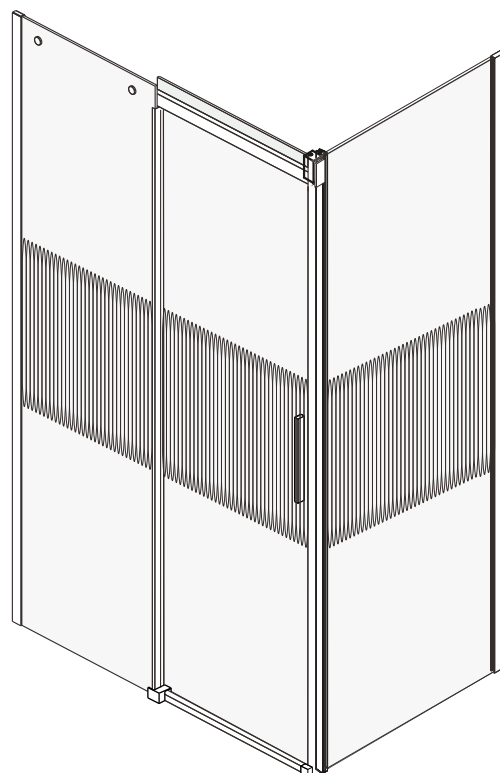
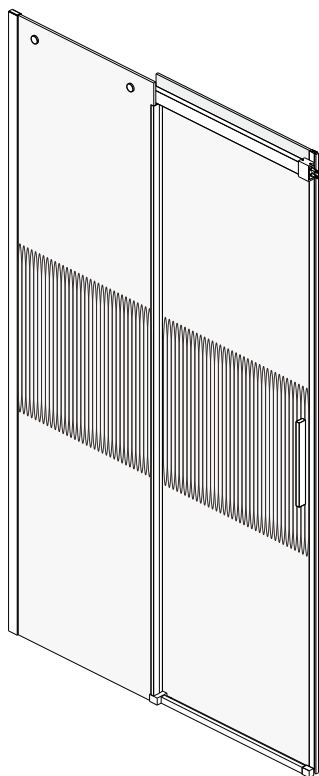
USER MANUAL



Thank you for choosing Better Bathrooms.
Please read this manual before installing your product
and keep for future reference.

better 
bathrooms

PRODUCT NAME-MATIRA SEMI FLUTED SLIDING DOOR & SIDE PANEL
PRODUCT CODE- MATSL1000CHRH MATSL1000CHLH MATSL1200CHRH
MATSL1200CHLH MATSLSP800LH MATSLSP800RH



- **Multi or Single-person assembly**
- **Tools required**
- **We always recommend using professional tradespeople to install your product**

Congratulations on your purchase

And welcome to our growing gang of savvy shoppers

We're on a mission to bring you extraordinary bathroom products, for less. From modern to traditional style ceramics, plus the gorgeous fixtures, fittings and furniture to match. So, you can fall in love with your space every single day.

As one of the UK's largest independent bathroom stores, we've received countless awards; including the National Business Awards UK, the Digital Entrepreneur Awards and being placed on The Sunday Times Fast Track 100.

We hope your new product goes above and beyond your expectations. However, should any problems occur, please:

- log in to your account and contact our customer services team via your self-serve portal – betterbathrooms.com/CustomerAccount/Login
- contact us via betterbathrooms.com/content/contact-us

Important information

- Please read these instructions thoroughly and retain for future reference
- Always check for pipes and cables before drilling

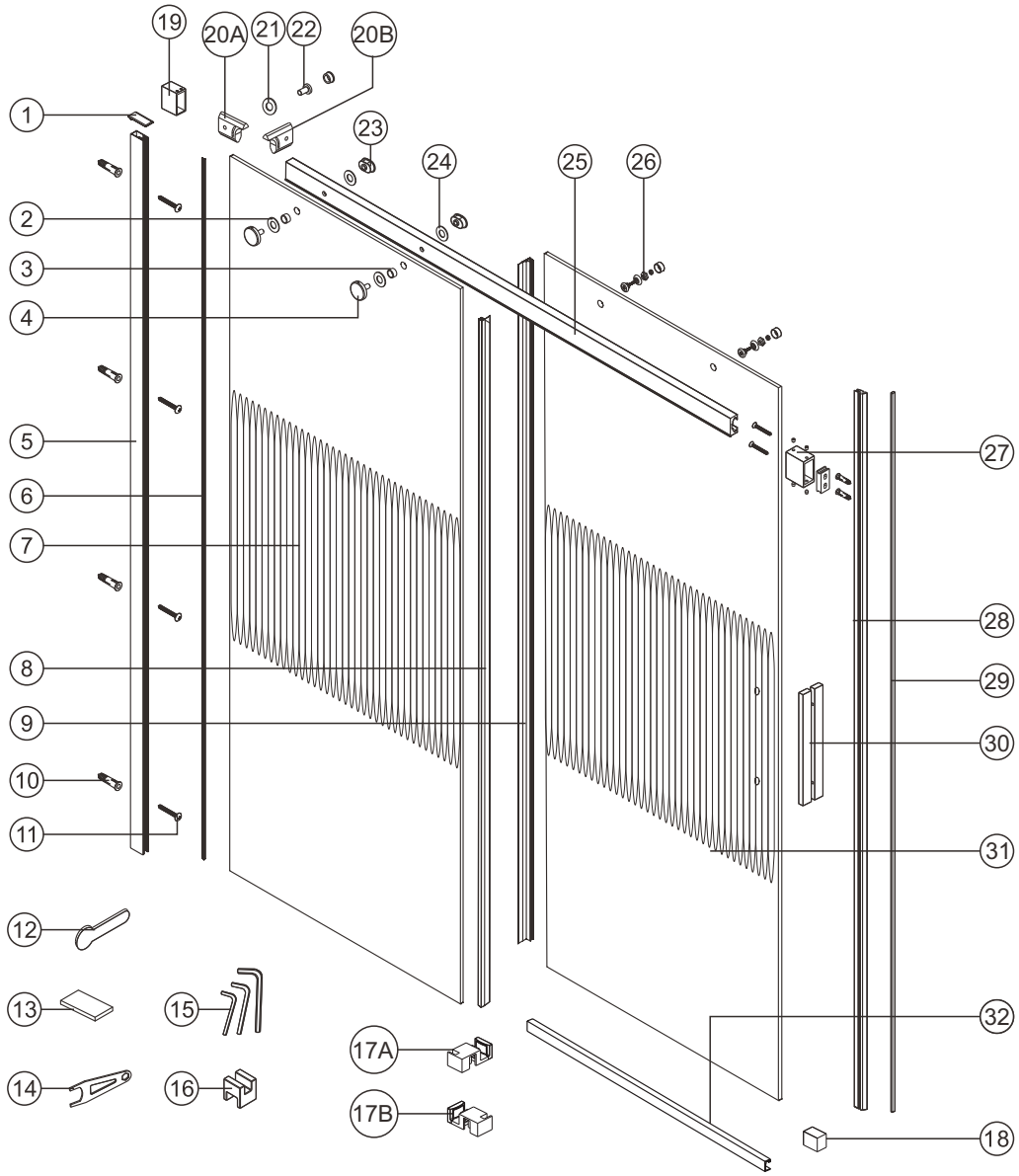
CAUTION

- To prevent leaks, silicone must be applied on the outside of the shower and not on the inside
- Read all instruction carefully before starting the installation
- Save this manual for future reference

Contents

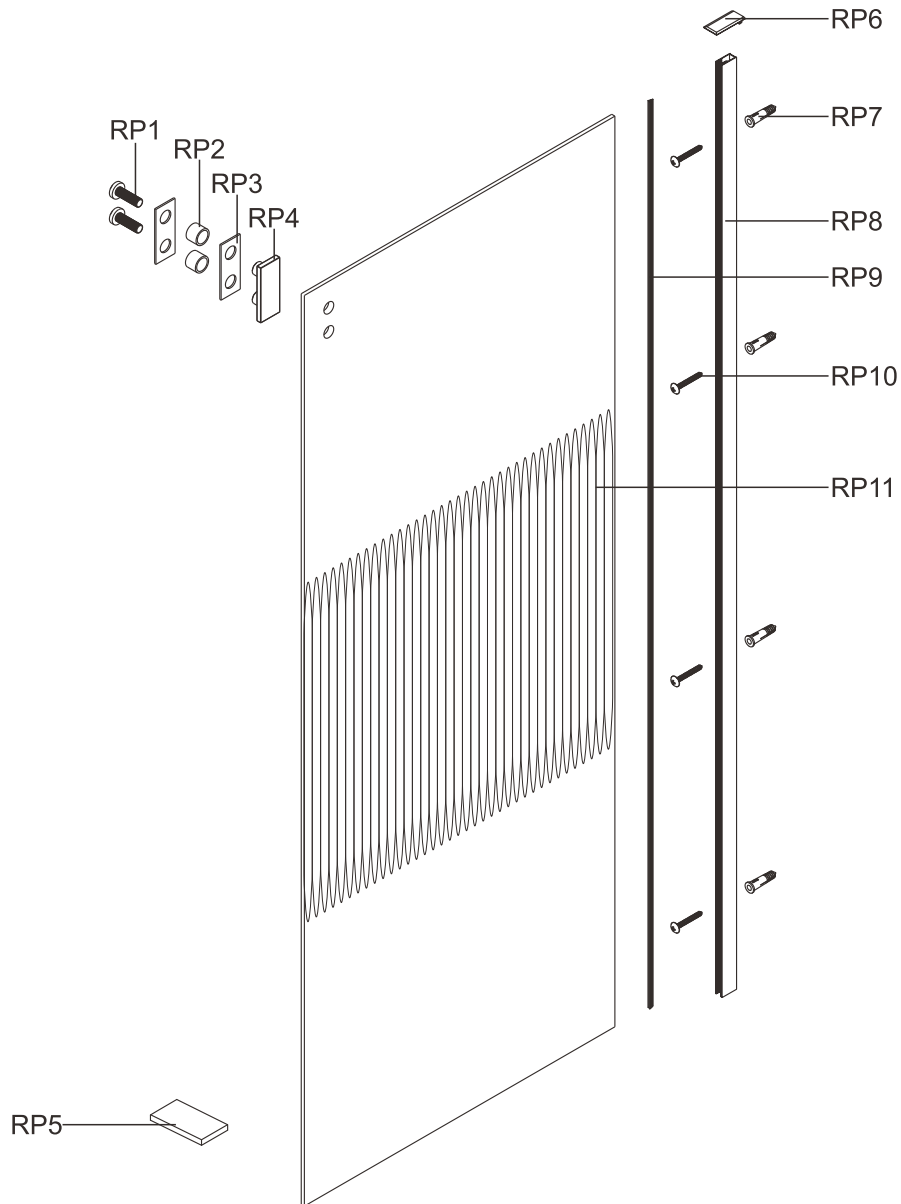
- PART LIST-----	PAGE 04-05
- PREPARATION & TOOL REQUIRED-----	PAGE 06
- INSTALLATION-----	PAGE 08
- CONTINUE-----	PAGE 09





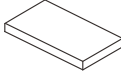
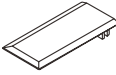



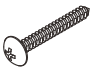
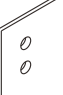
PARTS LIST



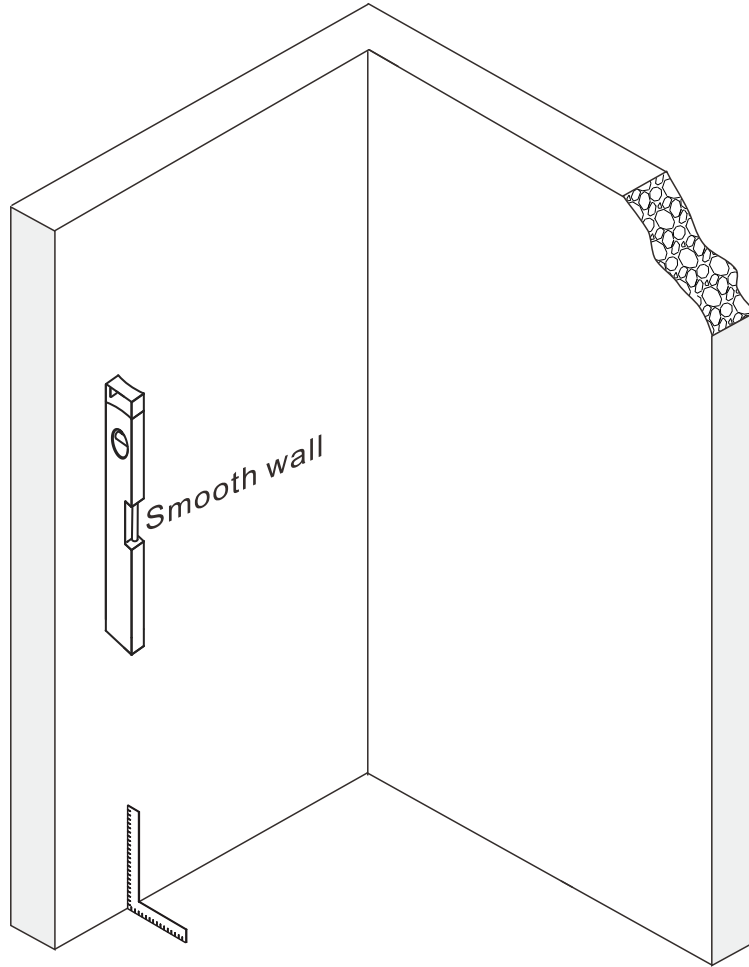
1 1X	2 2X	3 2X	4 2X	5 1X	6 1X	7 1X
8 1X	9 1X	10 6X	11 6X	12 1X	13 5X	14 2X
15 3X	16 2X	17A 1X	17B 1X	18 1X	19 1X	20A 1X
20B 1X	21 1X	22 1X	23 2X	24 2X	25 1X	26 2X
27 1X	28 1X	29 1X	30 1X	31 1X	32 1X	

PARTS LIST

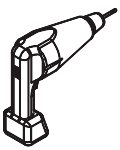


RP1 2X  M5X14	RP2 2X 	RP3 2X 	RP4 1X 	RP5 5X 	RP6 1X 
RP7 4X 	RP8 1X 	RP9 1X 	RP10 4X  ST4X40	RP11 1X 	

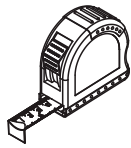
Preparation



Tools required



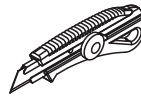
DRILL



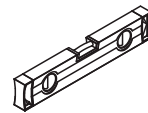
MEASURING TAPE



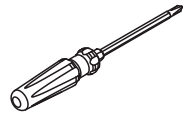
SILICONE



PRECISION KNIFE



LEVEL



SCREWDR



MALLET



SET SQUARE



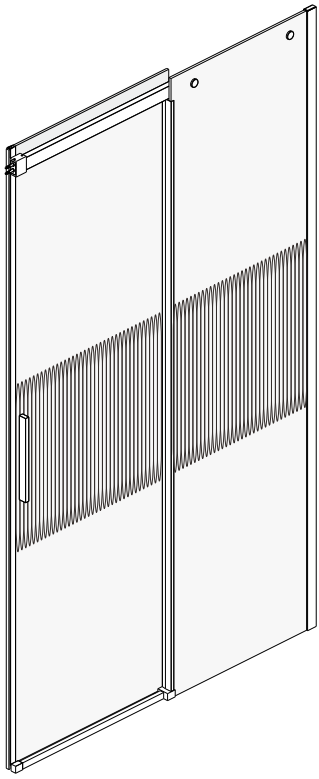
PENCIL



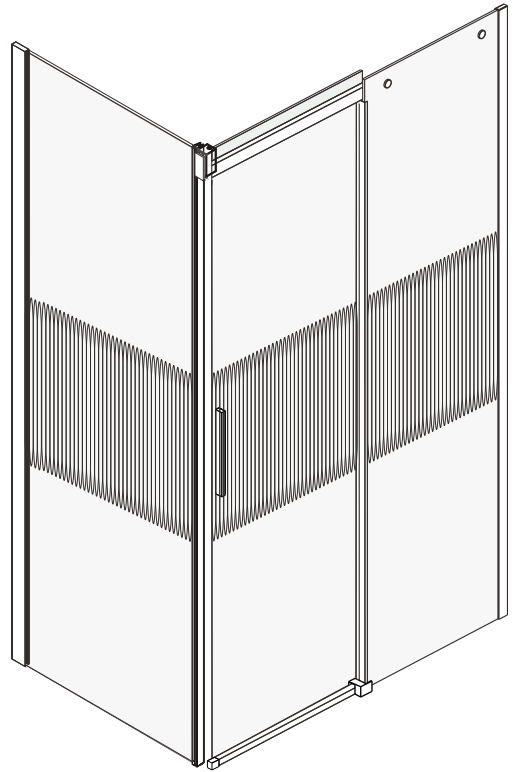
DRILL BITS: 1/8", 3/16" ET 1/4"
*MASONRY DRILL BIT



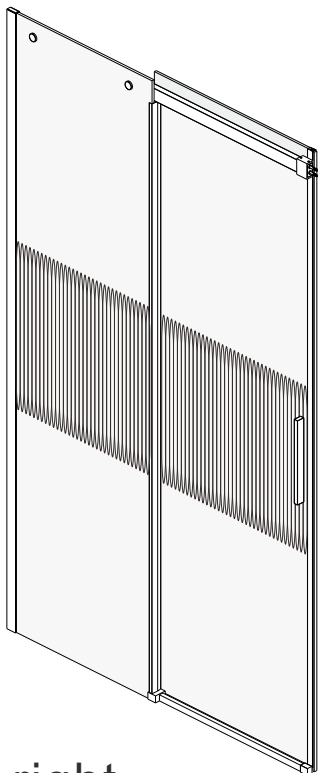
SCREWS



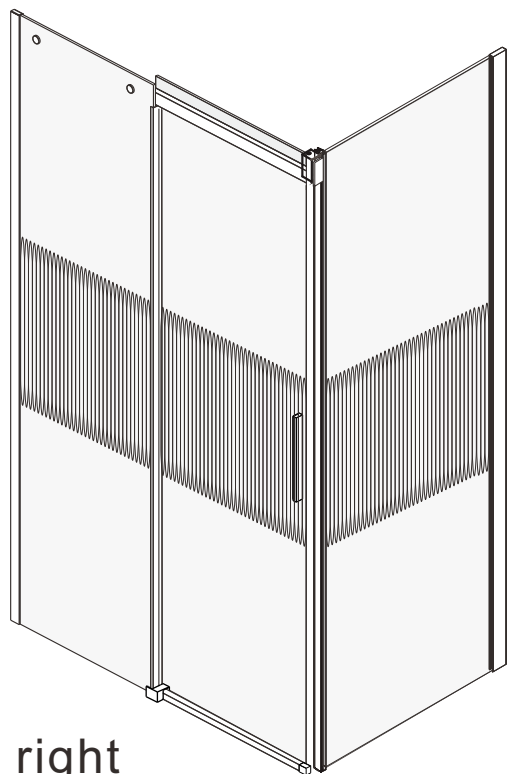
left



left



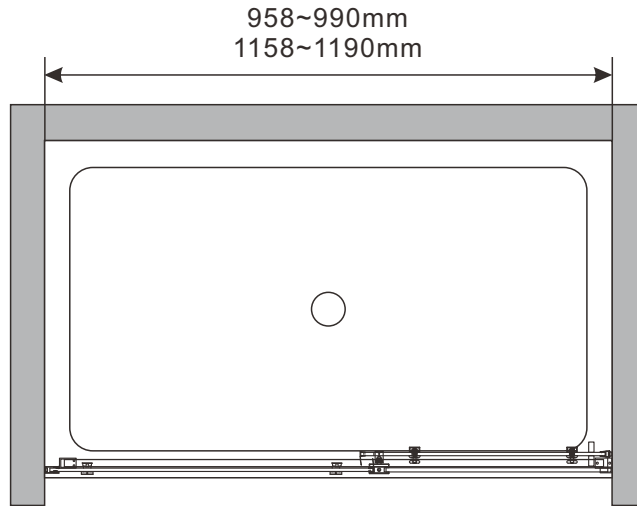
right



right

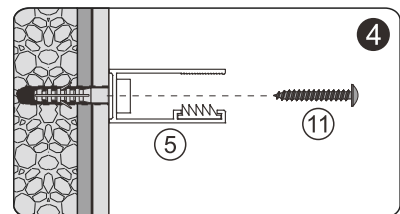
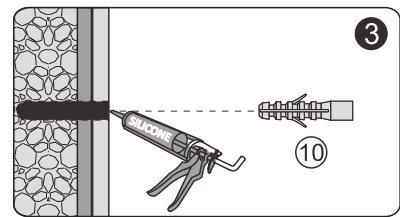
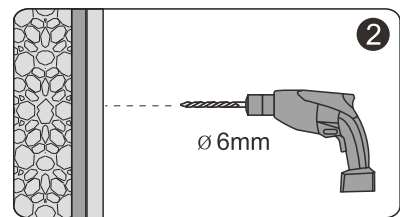
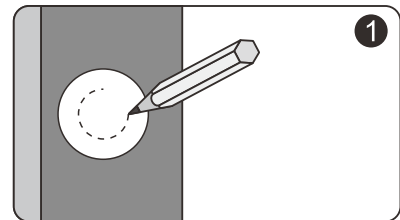
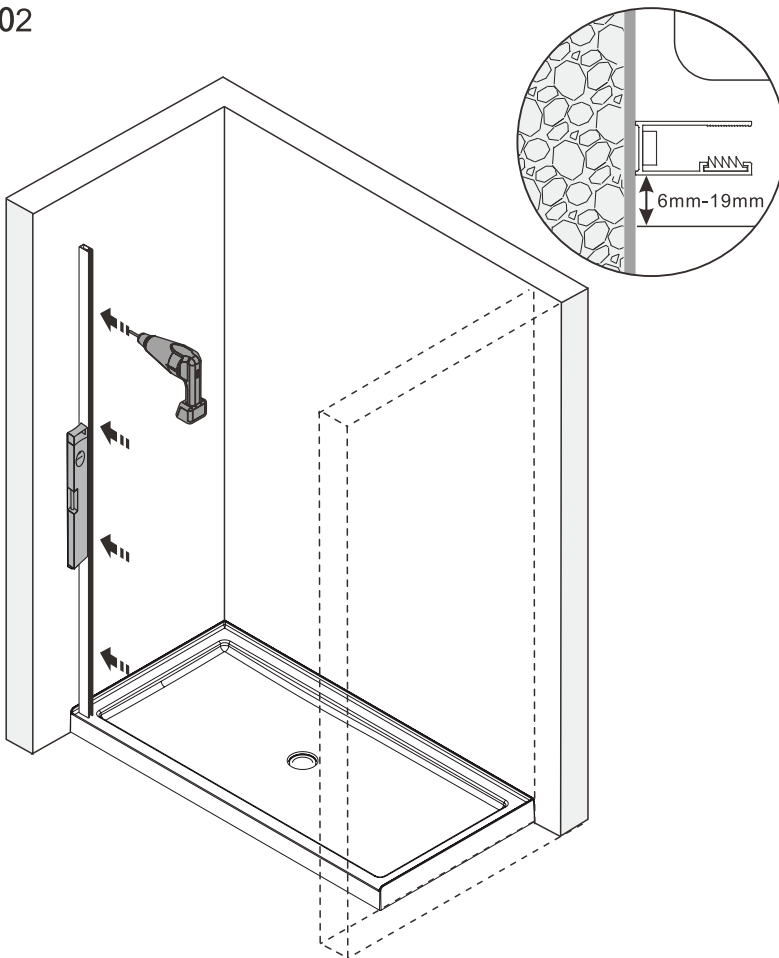
Installation

A 01



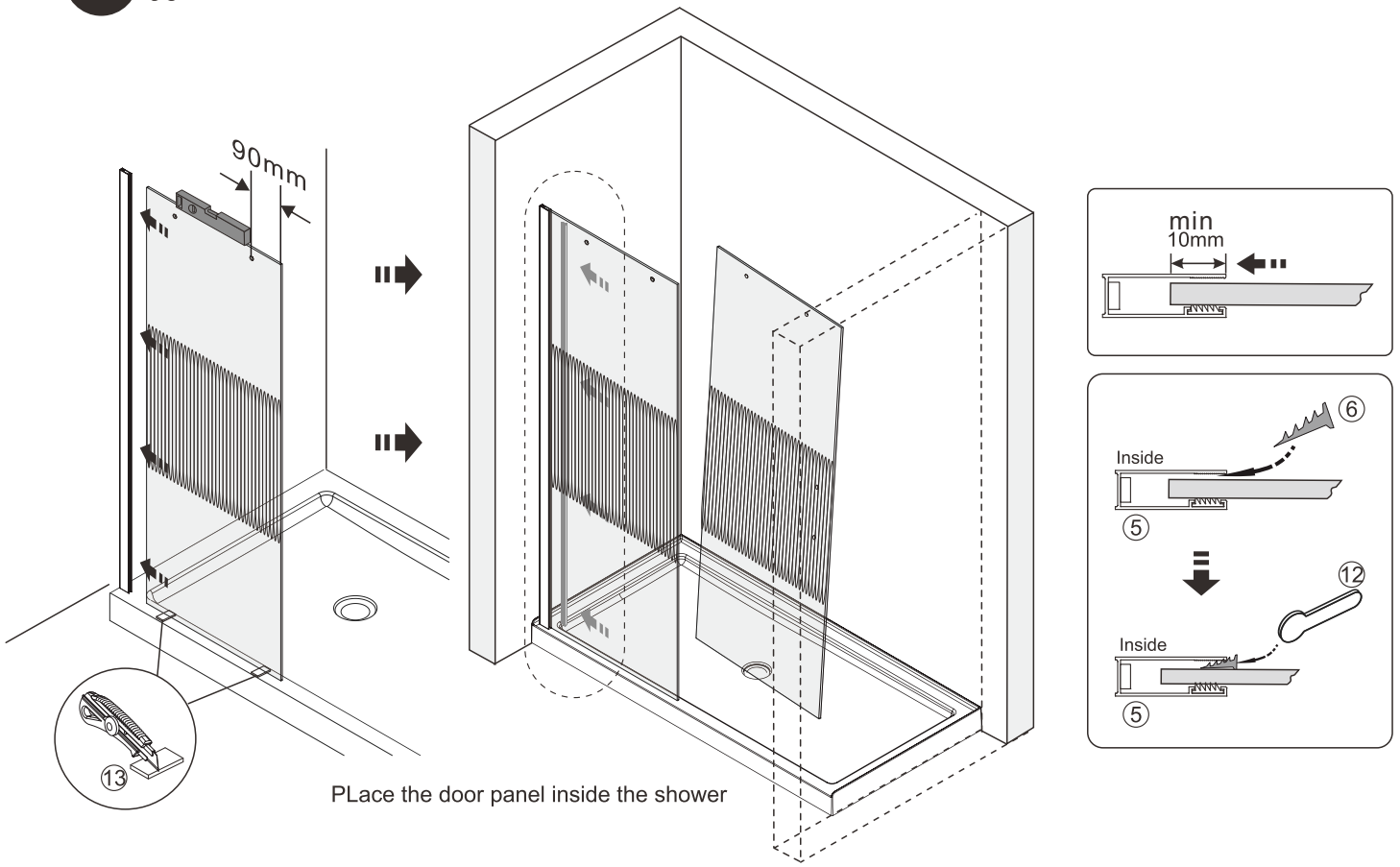
Continue

A 02



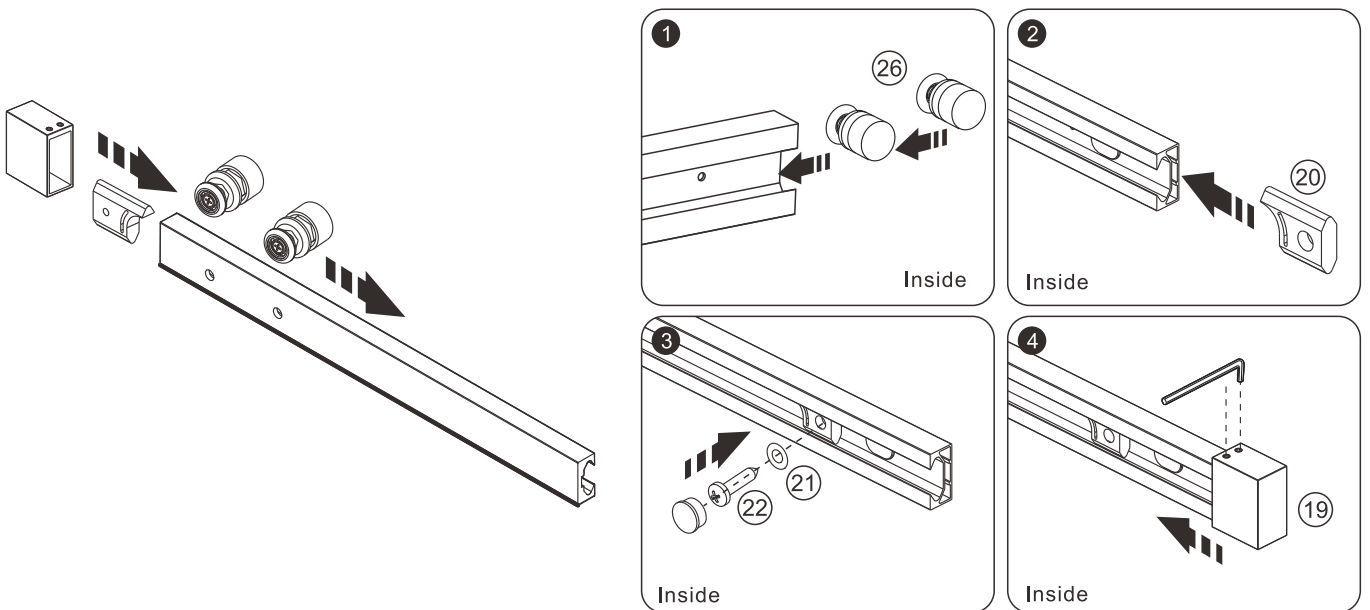
Continue

A 03



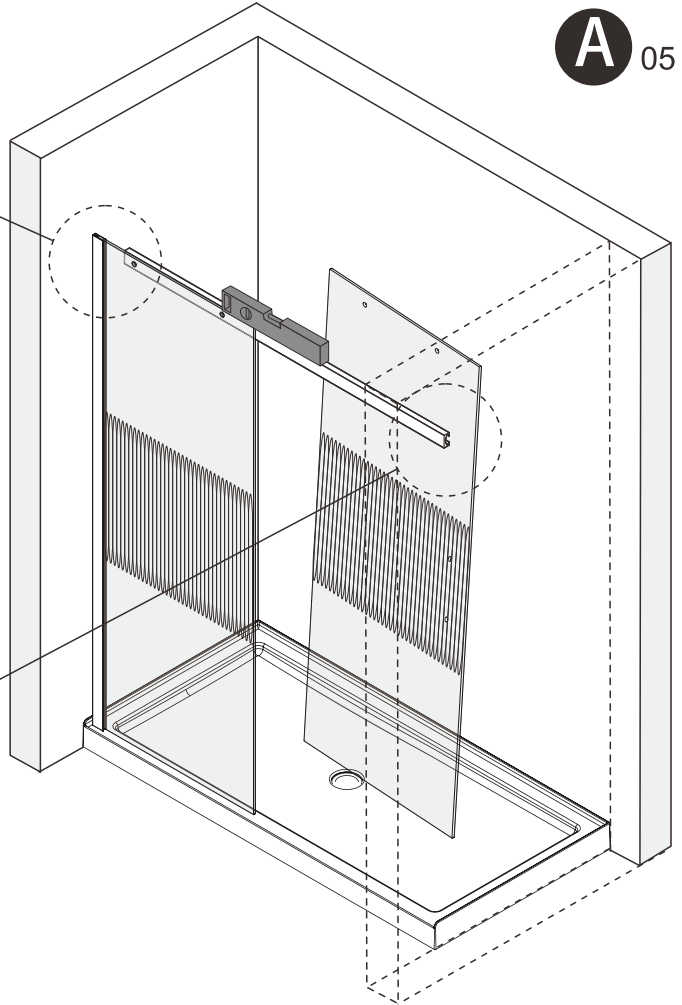
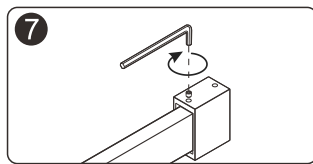
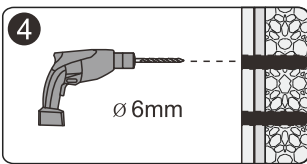
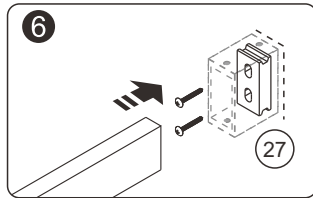
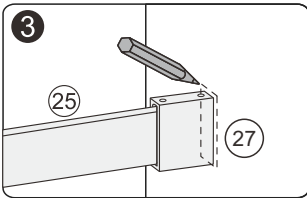
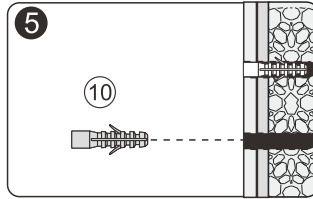
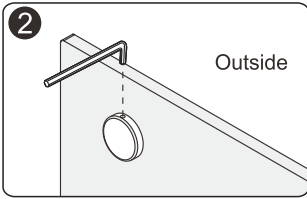
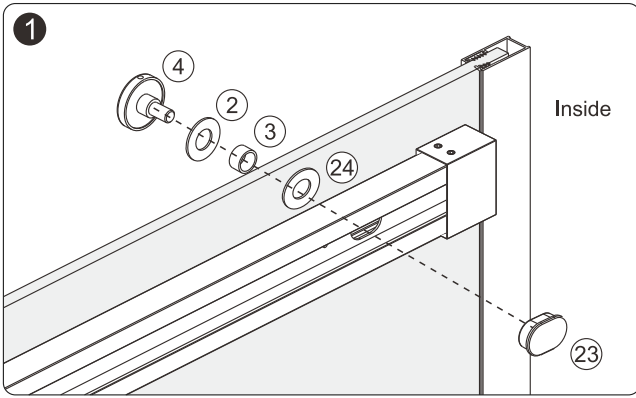
Continue

A 04



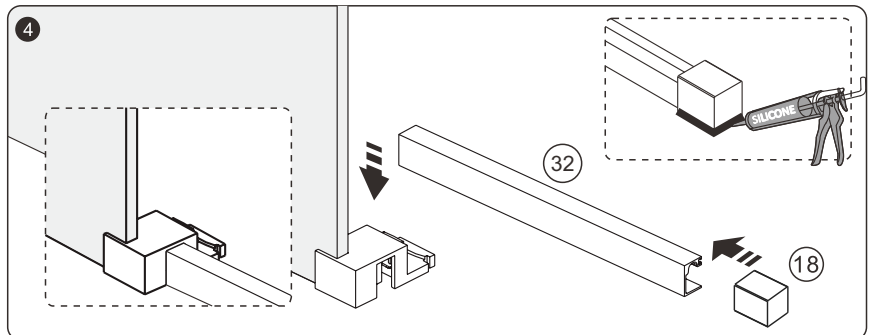
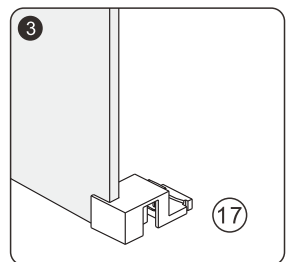
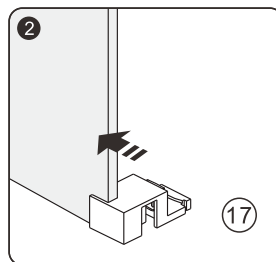
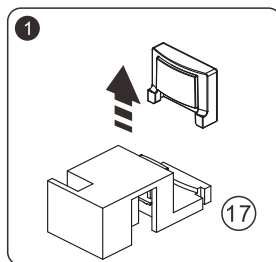
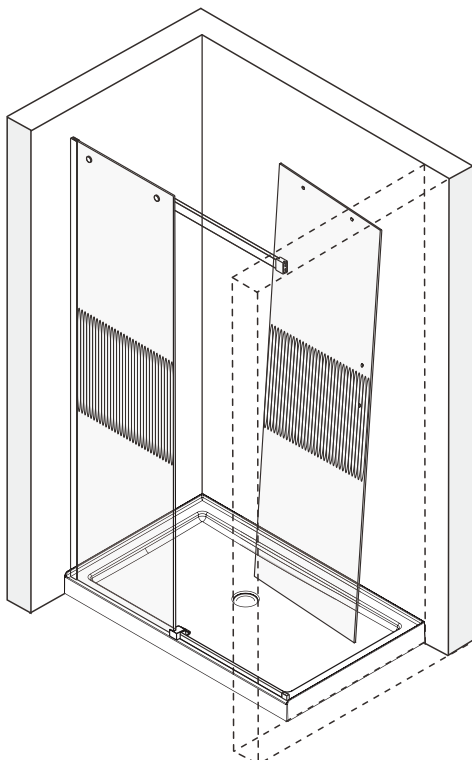
Continue

A 05



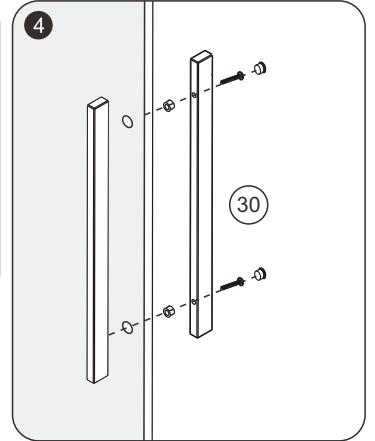
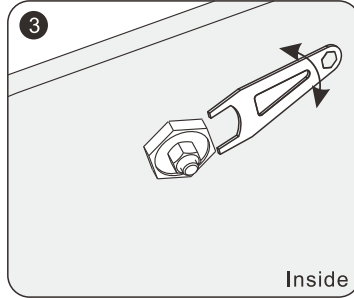
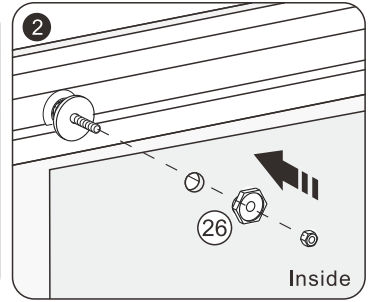
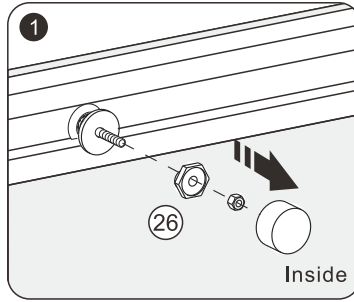
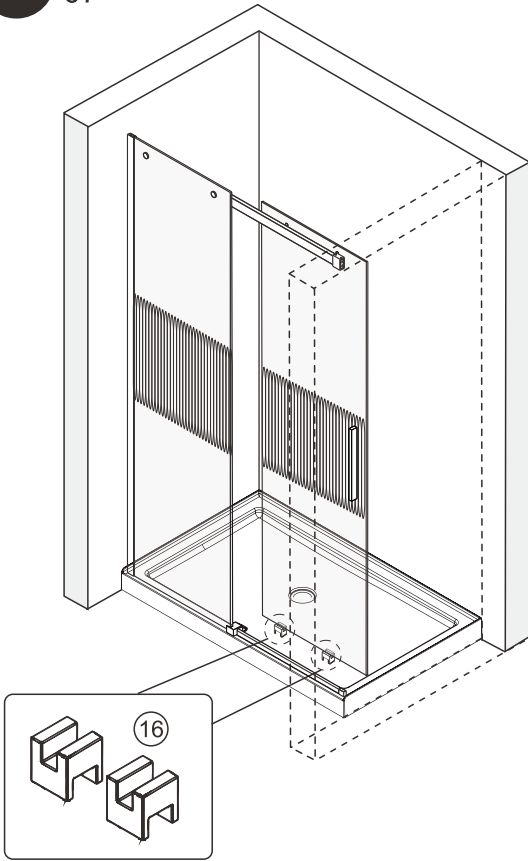
Continue

A 06



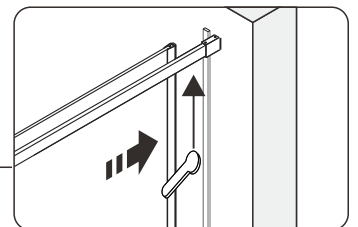
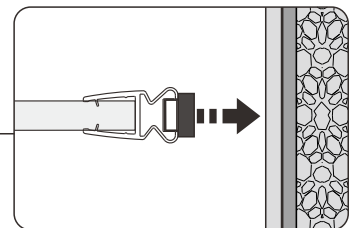
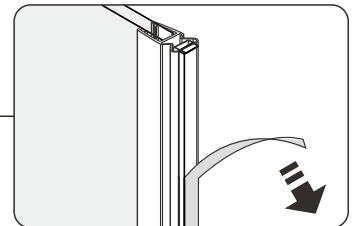
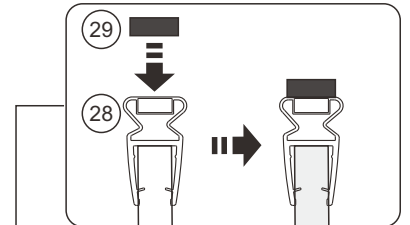
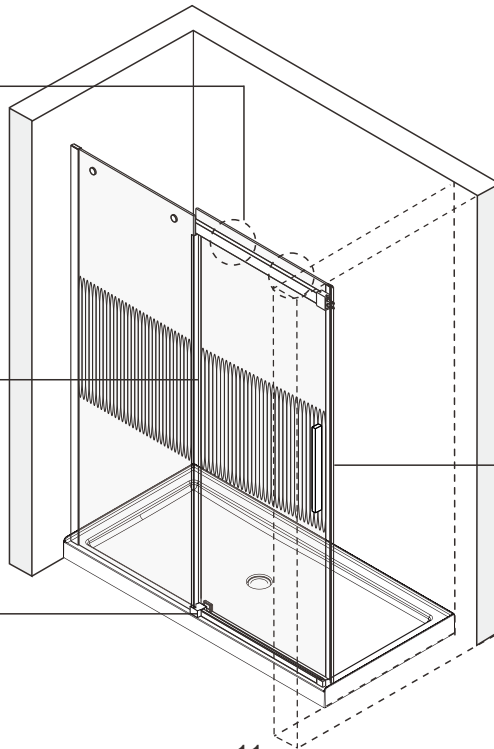
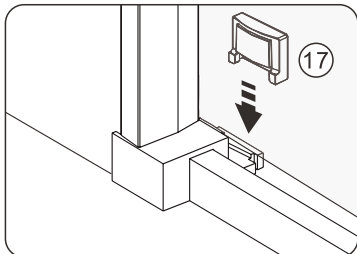
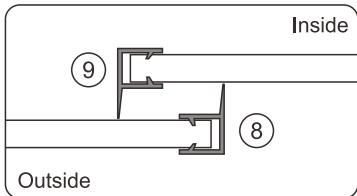
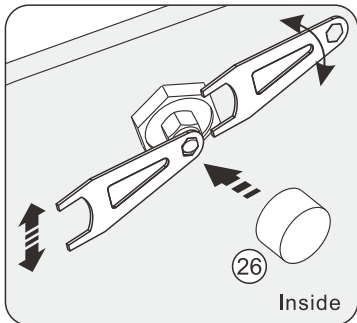
Continue

A 07

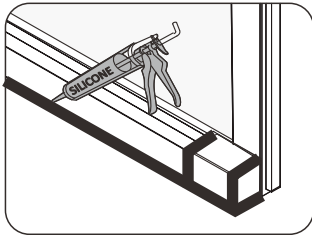
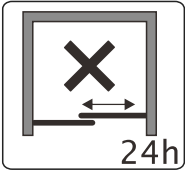
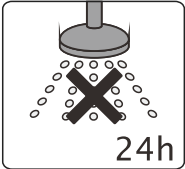
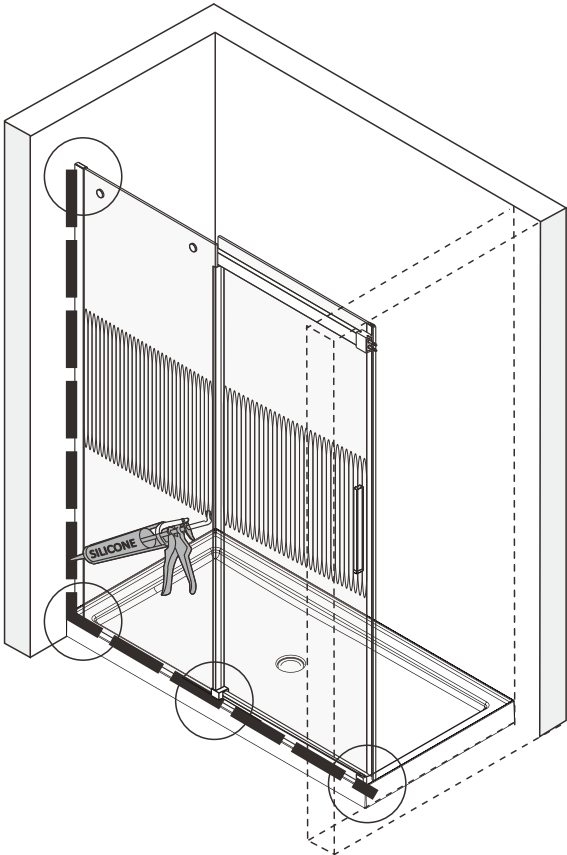
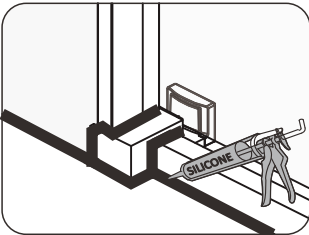
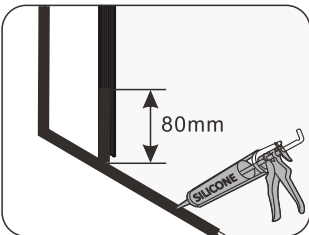
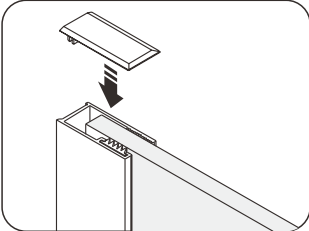


Continue

A 08

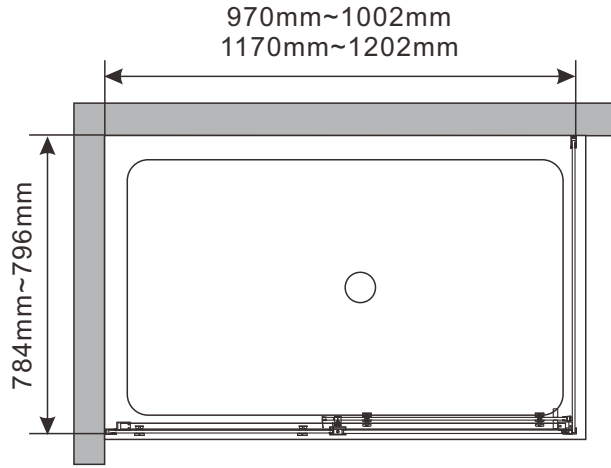


A 09



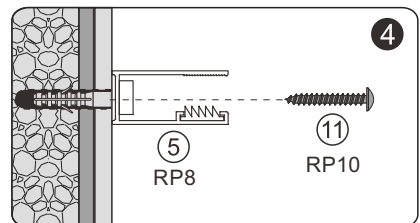
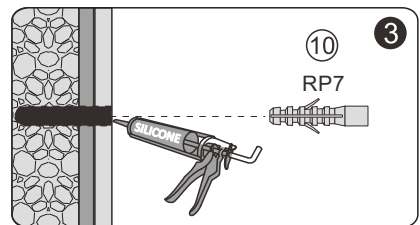
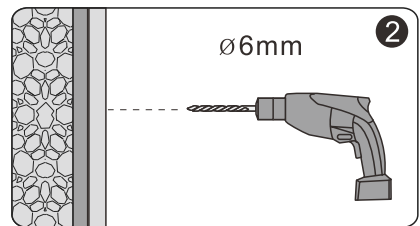
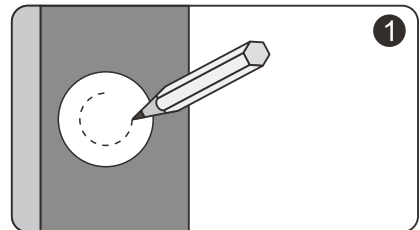
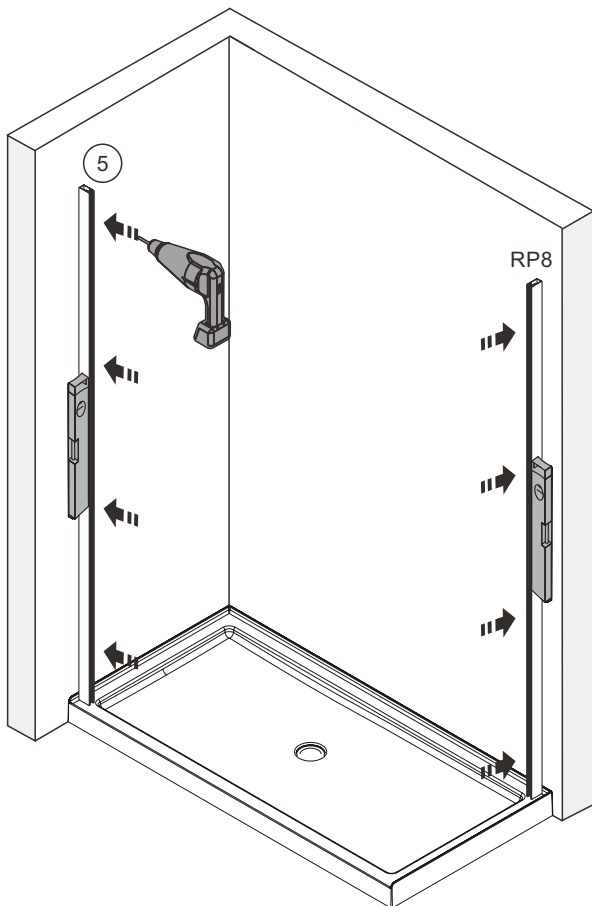
Installation

B₀₁



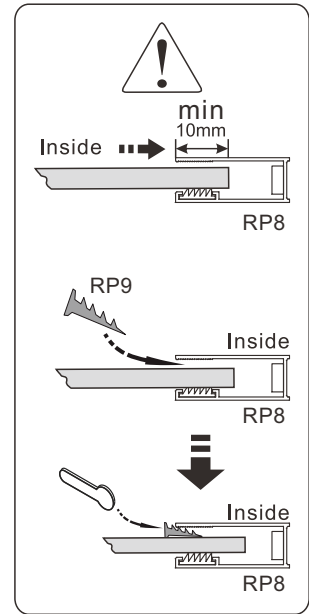
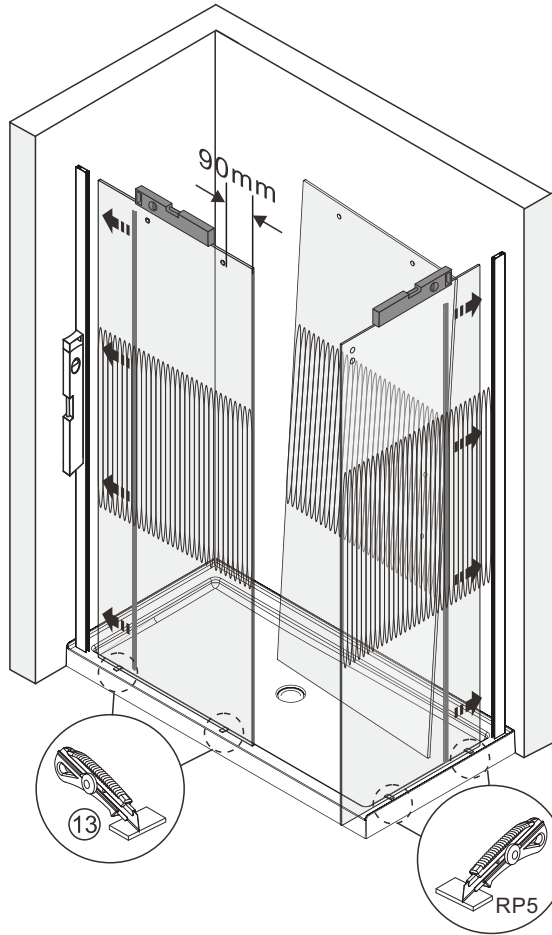
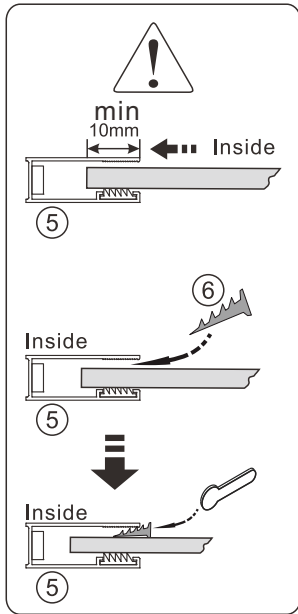
Continue

B₀₂



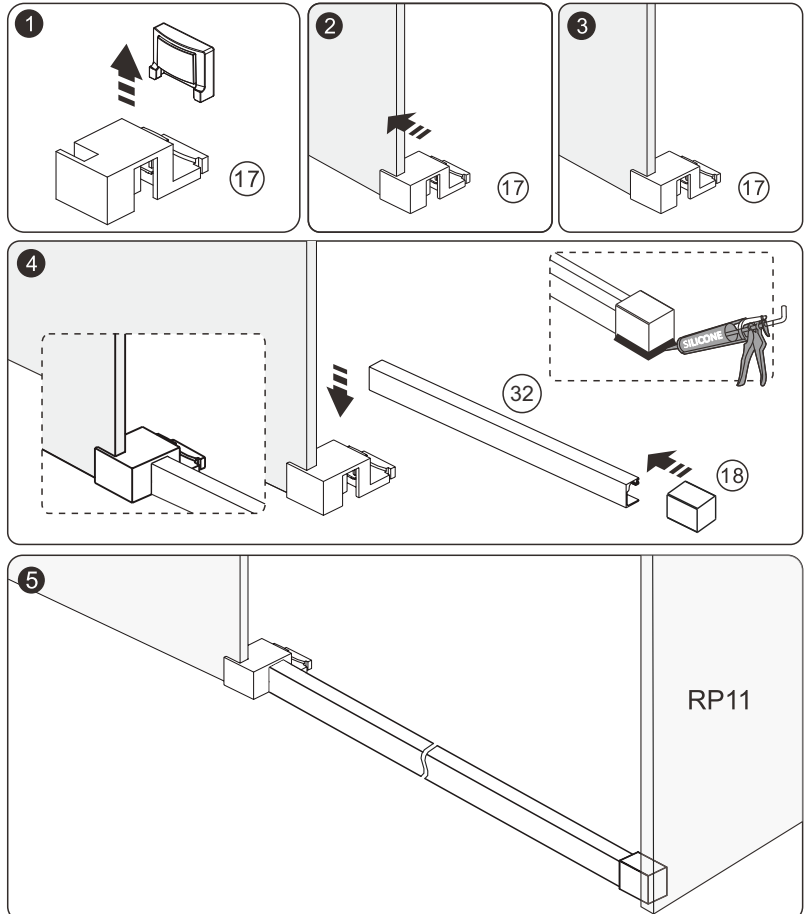
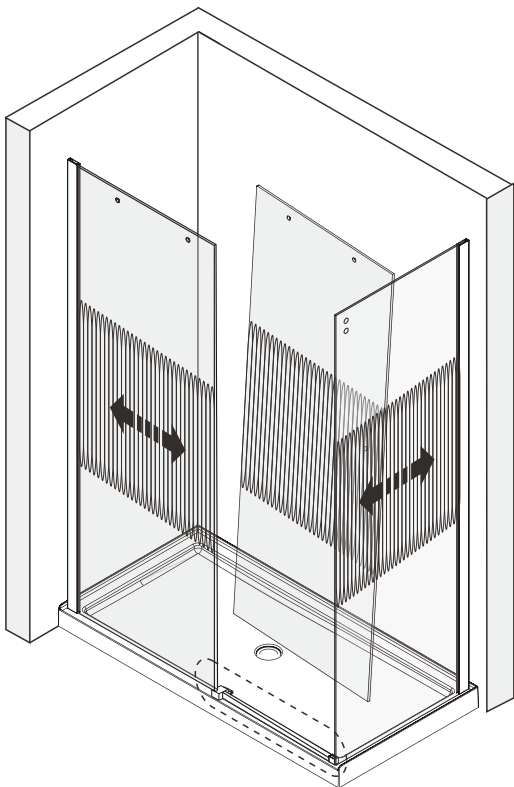
Continue

B 03



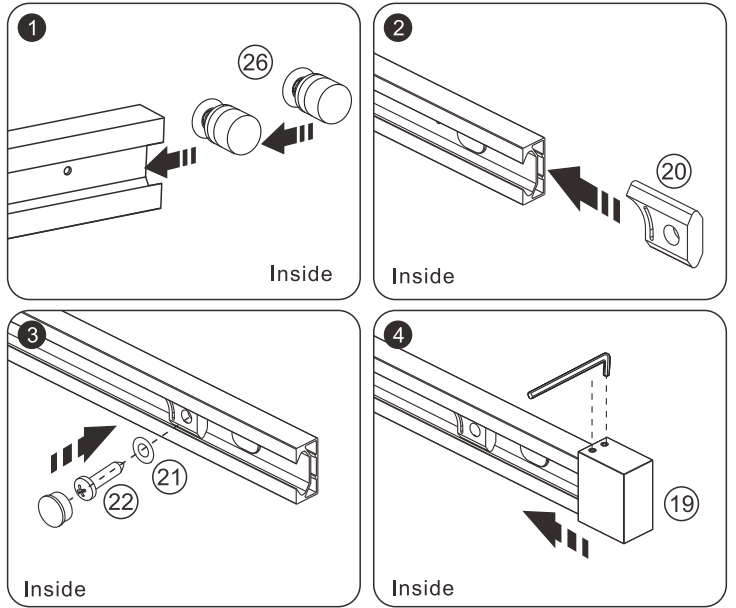
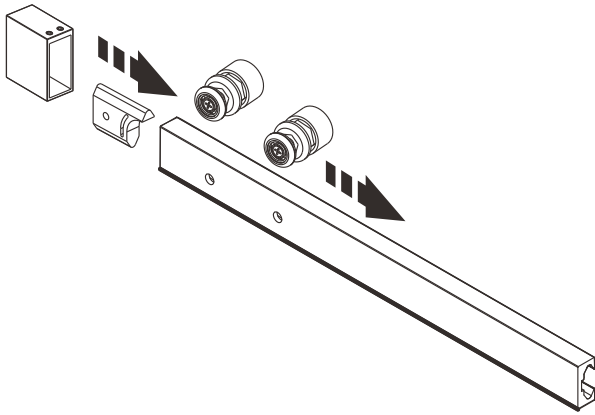
Continue

B 04



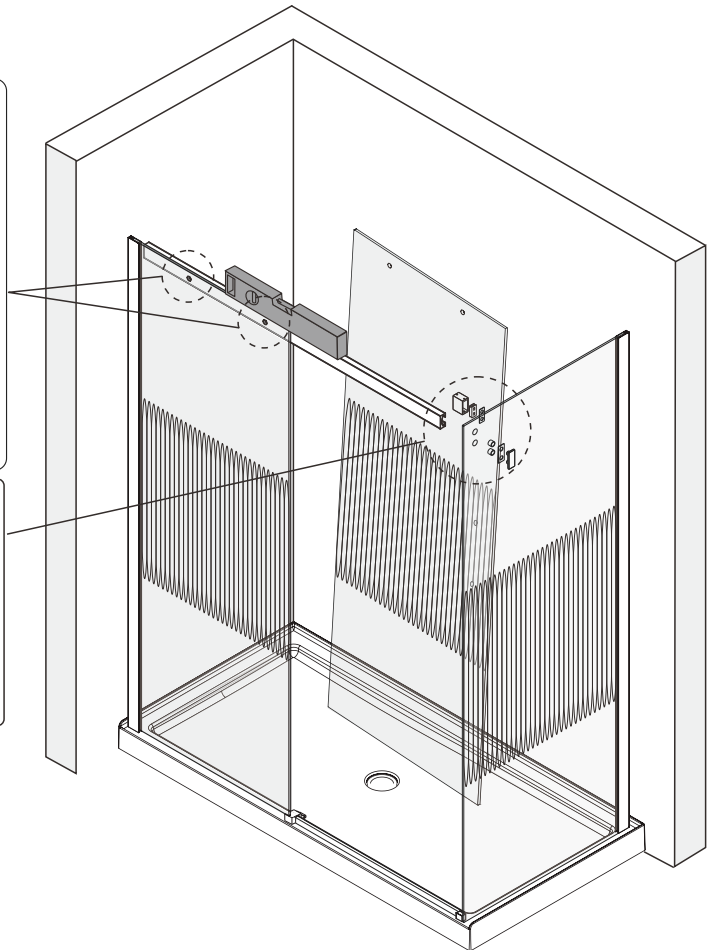
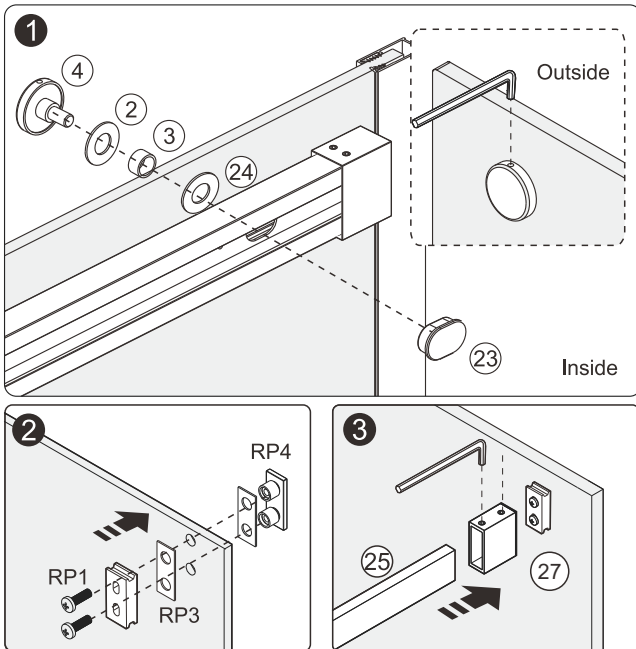
Continue

B 05



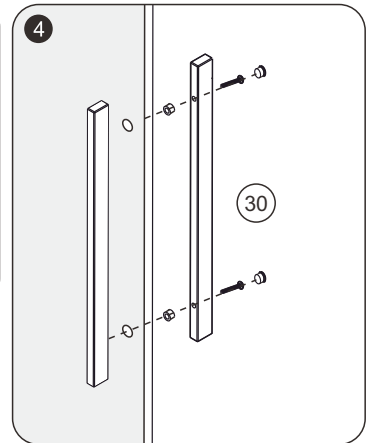
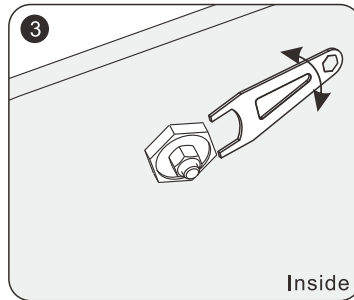
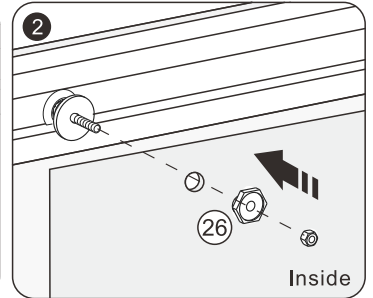
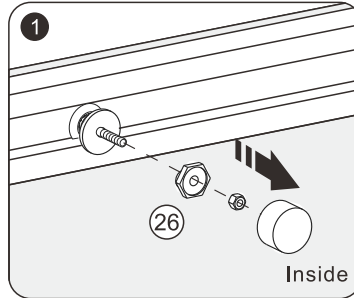
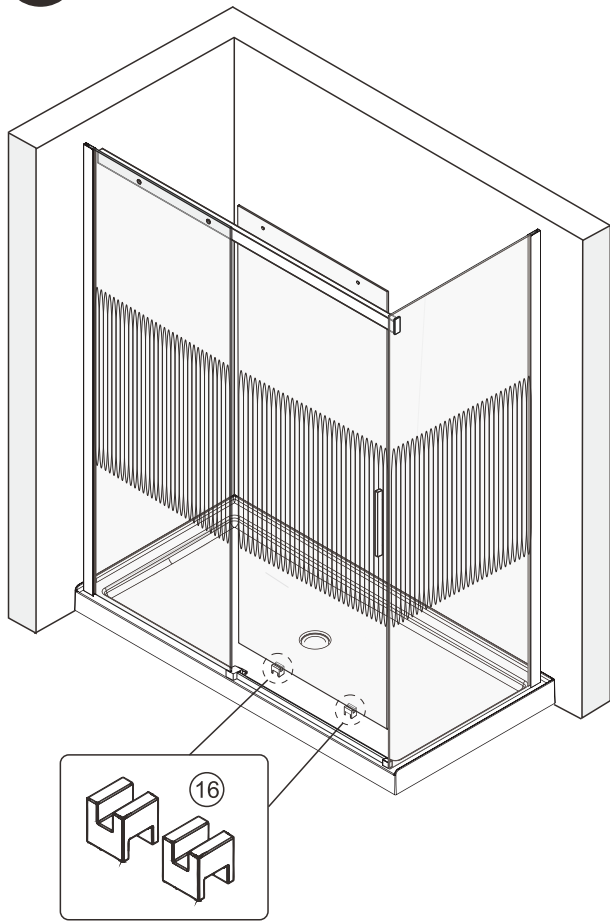
Continue

B 06



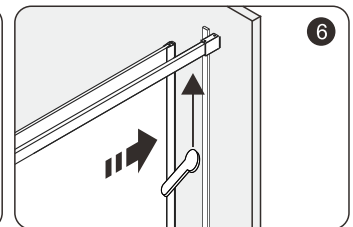
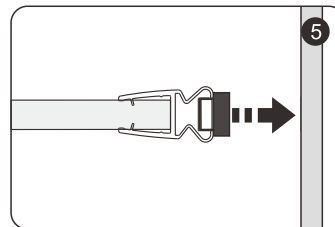
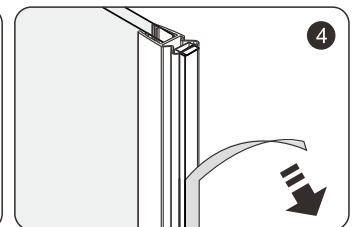
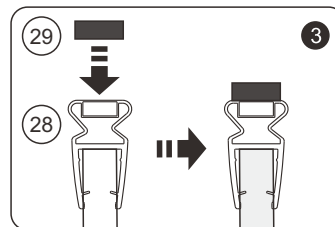
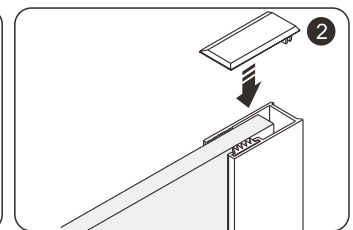
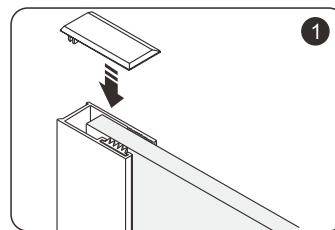
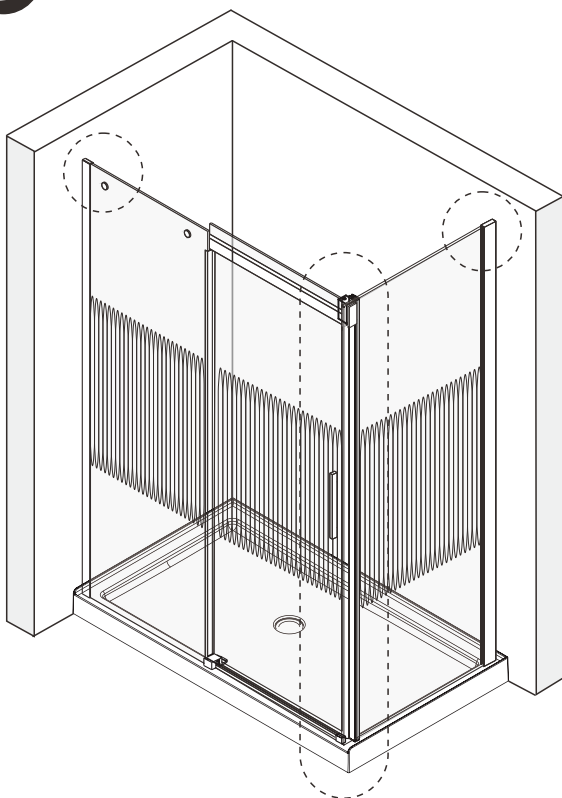
Continue

B 07



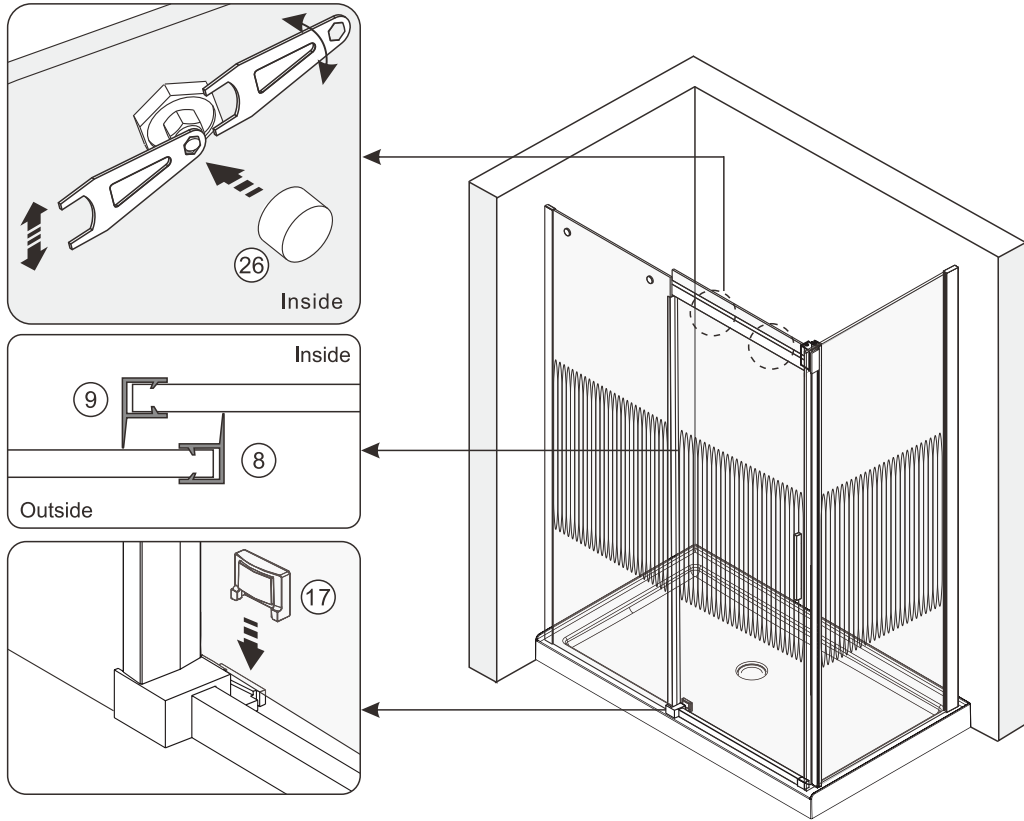
Continue

B 08



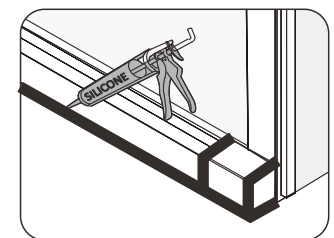
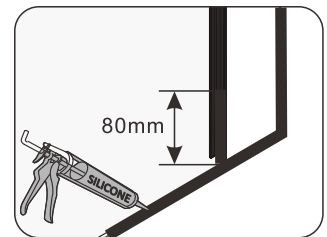
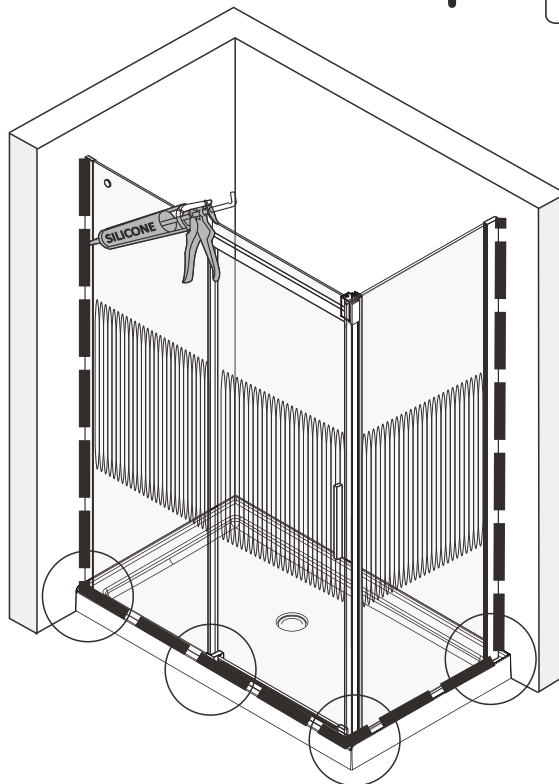
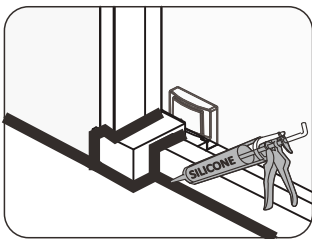
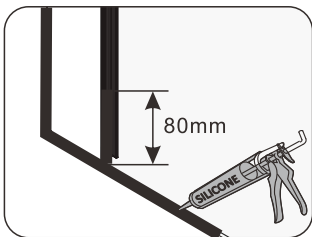
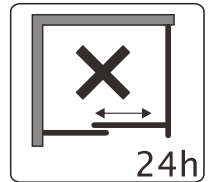
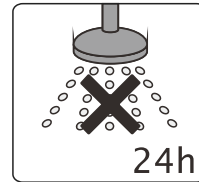
Continue

B 09



Continue

B 10



Maintenance & Cleaning

Use a PH-neutral cleaning agent to maintain and clean the surface of your product. Not to use alkaline, solvent, acid and chloric or scrubbing agents.

To maintain the surface of your product, wipe with a clean damp cloth and wipe dry, do not use any abrasive cleaning agents or materials. If any harsh chemicals come into contact with the surface of the product, rinse and wipe clean immediately.

For more information

- visit betterbathrooms.com
- email customerservices@buyitdirect.co.uk
- call 03303903062
- write to Trident Business Park, Neptune Way, Huddersfield, HD2 1UA

better 
bathrooms

Part of the BuyItDirect Group